

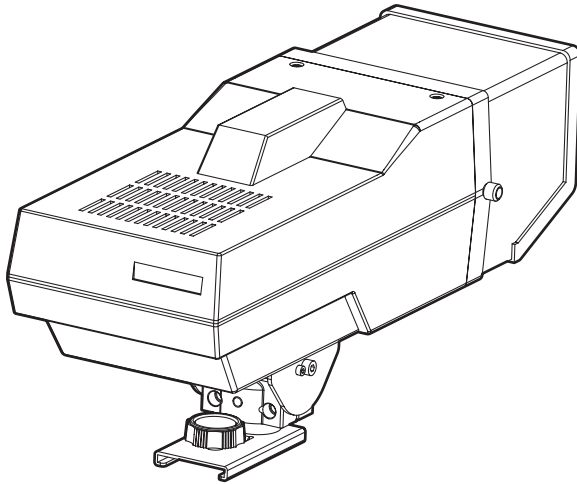
# Panasonic<sup>®</sup>

## Operating Instructions

---

4" CRT Viewfinder

Model No. **AW-VF64N**



Before operating this product, please read the instructions carefully and save this manual for future use.

# Safety precautions



## CAUTION

RISK OF ELECTRIC SHOCK  
DO NOT OPEN



CAUTION: TO REDUCE THE RISK OF ELECTRIC SHOCK,  
DO NOT REMOVE COVER (OR BACK).  
NO USER SERVICEABLE PARTS INSIDE.  
REFER TO SERVICING TO QUALIFIED SERVICE PERSONNEL.



The lightning flash with arrowhead symbol, within an equilateral triangle, is intended to alert the user to the presence of uninsulated “dangerous voltage” within the product’s enclosure that may be of sufficient magnitude to constitute a risk of electric shock to persons.



The exclamation point within an equilateral triangle is intended to alert the user to the presence of important operating and maintenance (service) instructions in the literature accompanying the appliance.

For CANADA

**This Class A digital apparatus complies with Canadian ICES-003.  
Cet appareil numérique de la class A est conforme à la norme  
NMB-003 du Canada.**

### FCC Note:

This equipment has been tested and found to comply with the limits for a class A digital device, pursuant to Part 15 of the FCC Rules. These limits are designed to provide reasonable protection against harmful interference when the equipment is operated in a commercial environment. This equipment generates, uses, and can radiate radio frequency energy, and if not installed and used in accordance with the instruction manual, may cause harmful interference to radio communications. Operation of this equipment in a residential area is likely to cause harmful interference in which case the user will be required to correct the interference at his own expense.

### Warning:

To assure continued FCC emission limit compliance, the user must use only shielded interface cables when connecting to external units. Also, any unauthorized changes or modifications to this equipment could void the user’s authority to operate it.

 indicates safety information.

# ***Safety precautions***

---

## **WARNING:**

- TO REDUCE THE RISK OF FIRE OR SHOCK HAZARD, DO NOT EXPOSE THIS EQUIPMENT TO RAIN OR MOISTURE.
- TO REDUCE THE RISK OF FIRE OR SHOCK HAZARD, KEEP THIS EQUIPMENT AWAY FROM ALL LIQUIDS. USE AND STORE ONLY IN LOCATIONS WHICH ARE NOT EXPOSED TO THE RISK OF DRIPPING OR SPLASHING LIQUIDS, AND DO NOT PLACE ANY LIQUID CONTAINERS ON TOP OF THE EQUIPMENT.

## **CAUTION:**

TO REDUCE THE RISK OF FIRE OR SHOCK HAZARD AND ANNOYING INTERFERENCE, USE THE RECOMMENDED ACCESSORIES ONLY.

## **Note:**


The rating plate (serial number plate) is on the bottom of the unit.

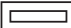
 indicates safety information.

# Safety precautions

## IMPORTANT SAFETY INSTRUCTIONS

Read these operating instructions carefully before using the unit. Follow the safety instructions on the unit and the applicable safety instructions listed below. Keep these operating instructions handy for future reference.

- 1) Read these instructions.
- 2) Keep these instructions.
- 3) Heed all warnings.
- 4) Follow all instructions.
- 5) Do not use this apparatus near water.
- 6) Clean only with dry cloth.
- 7) Do not block any ventilation openings. Install in accordance with the manufacturer's instructions.
- 8) Do not install near any heat sources such as radiators, heat registers, stoves, or other apparatus (including amplifiers) that produce heat.
- 9) Do not defeat the safety purpose of the polarized or grounding-type plug. A polarized plug has two blades with one wider than the other. A grounding-type plug has two blades and a third grounding prong. The wide blade or the third prong are provided for your safety. If the provided plug does not fit into your outlet, consult an electrician for replacement of the obsolete outlet.
- 10) Protect the power cord from being walked on or pinched particularly at plugs, convenience receptacles, and the point where they exit from the apparatus.
- 11) Only use attachments/accessories specified by the manufacturer.
- 12) Use only with the cart, stand, tripod, bracket, or table specified by the manufacturer, or sold with the apparatus. When a cart is used, use caution when moving the cart/apparatus combination to avoid injury from tip-over. 
- 13) Unplug this apparatus during lightning storms or when unused for long periods of time.
- 14) Refer all servicing to qualified service personnel. Servicing is required when the apparatus has been damaged in any way, such as power-supply cord or plug is damaged, liquid has been spilled or objects have fallen into the apparatus, the apparatus has been exposed to rain or moisture, does not operate normally, or has been dropped.

 indicates safety information.

# Contents

---

Accessories .....	5	How to detach the hood .....	9
Introduction .....	5	How to adjust the viewfinder angle ....	9
Major operating controls and their functions .....	6	Appearance .....	10
How to install .....	7	Specifications .....	11

## Accessories

---

Mounting base .....	1
Mounting base screws .....	2

## Introduction

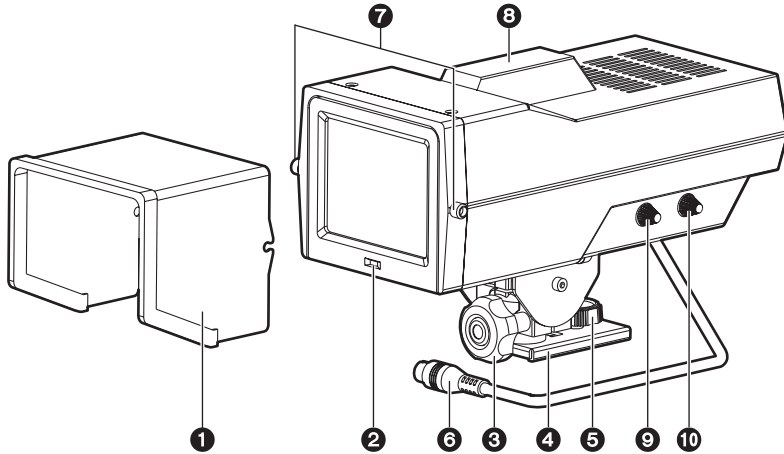
---

- This 4-inch CRT viewfinder is designed to be used with a convertible camera (such as the AW-E350, AW-E650, AW-E655, AW-E750 or AW-E860).
- The studio SDI card (AW-PB506A) or studio card (AW-PB305A) is required in order to attach the unit to the convertible camera.

### Notes

- The AW-VF64 cannot be installed to the following models; AW-E300, AW-E300A, AW-E300S, AW-E600, AW-E800, AW-E800A, AW-RP605, AW-PB605
- The ranges within which the operation of this unit is guaranteed are as follows:  
Supply voltage: 10.5 V to 15.0 V  
Ambient temperature: +32°F to +104°F (0°C to +40°C)  
These ranges are more limited than the guaranteed operating ranges of other convertible cameras.  
Ensure that the unit is used within the ranges given here without fail: otherwise, trouble may result.
- Do not connect or disconnect the EVF connector while the unit's power is still on. Doing so may result in viewfinder trouble.
- Noise may interfere with the pictures shown if the unit is used in a location with strong electrical or magnetic fields, such as near the transmitting antenna of a TV, radio broadcast station, or near a motor.
- When the viewfinder unit is to be discarded at the end of its service life, ask a specialized contractor to dispose of it properly in order to protect the environment.

# Major operating controls and their functions



## ① Hood

This is used to block extraneous light which, when present, makes it hard to see the screen. The unit comes with the hood already mounted.

For details on how to detach the hood, refer to page 9.

## ② Tally lamp

This lights when the camera is on the air.

## ③ Pan/tilt lock knob

This is used to adjust the angle of the viewfinder.

First loosen it, decide on the position of the viewfinder, and then tighten it up to secure.

## ④ Shoe fixture

## ⑤ Shoe fixing screw

This is used to secure the viewfinder to the interface bracket.

## ⑥ EVF connector

This is connected to the EVF connector 2 on the interface bracket.

## ⑦ Fixing screws (×2)

These are used to secure the hood.

## ⑧ Tally lamp (Top)

This lights when the camera is on the air. It lights in tandem with tally lamp ②.

## ⑨ Contrast control [CONT.]

This is used to adjust the contrast of the images shown on the viewfinder screen.

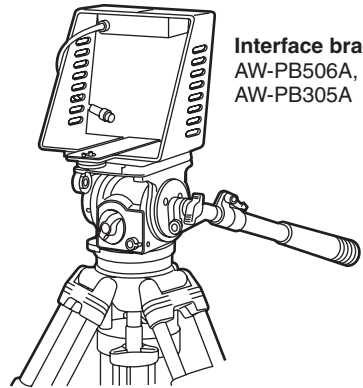
## ⑩ Brightness control [BRIGHT.]

This is used to adjust the brightness of the viewfinder screen.

# How to install

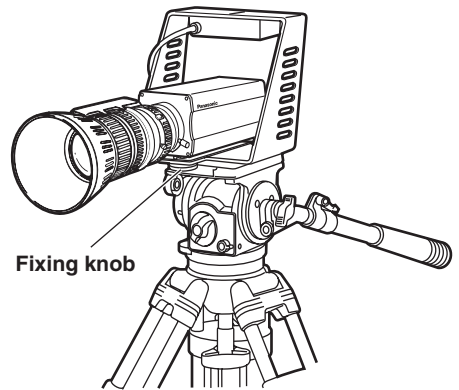
## ■ Mounting to the interface bracket (AW-PB506A, AW-PB305A)

- ① Mount the interface bracket on the tripod. (Screw: 1/4 – 20UNC)



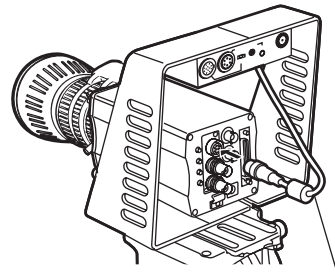
Interface bracket:  
AW-PB506A,  
AW-PB305A

- ② Mount the camera on the interface bracket (AW-PB506A or AW-PB305A), and turn the fixing knob to tighten the camera securely.



Fixing knob

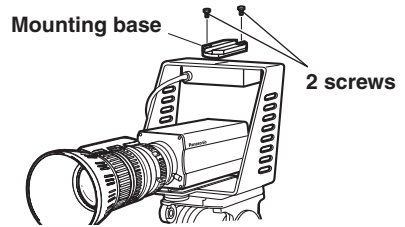
- ③ Connect the EVF I/F cable (or EVF cable) from the interface bracket to the EVF I/F connector (or EVF connector) on the camera.



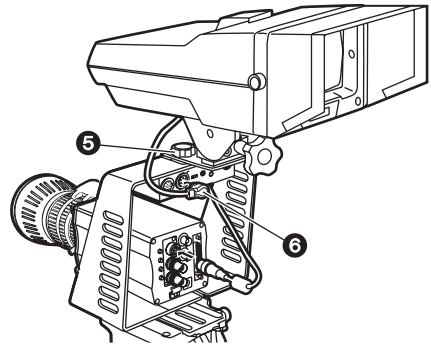
EVF I/F cable

# How to install

- ④ Mount the mounting base that is supplied to the viewfinder onto the top of the interface bracket using the 2 screws provided.  
(Mount the base securely so that it is not unsteady.)



- ⑤ Slide the viewfinder from the back into the mounting base on the top of the interface bracket, and push it into place completely until it stops.
- ⑥ Turn the shoe fixing screw ⑤, and tighten the viewfinder securely.
- ⑦ Connect the EVF connector ⑥ from the viewfinder to the EVF connector 2 on the interface bracket.



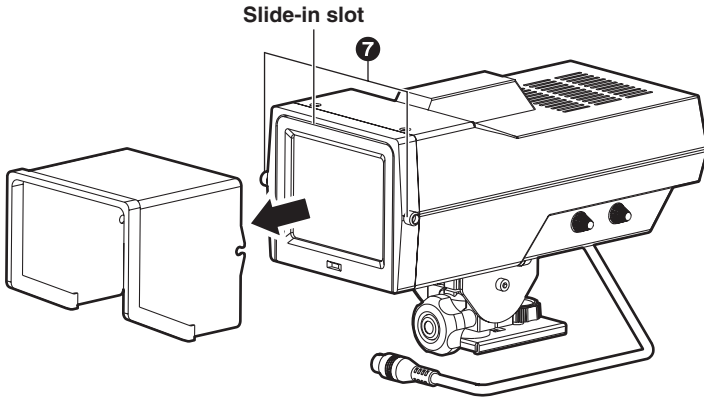
## Notes

- Before connecting the connector, make sure that the power to all the equipment has been turned off.
- For details on the connections of each device, refer to the operating instructions of the convertible camera, studio SDI card (AW-PB506A) and studio card (AW-PB305A).



# ***How to detach the hood***

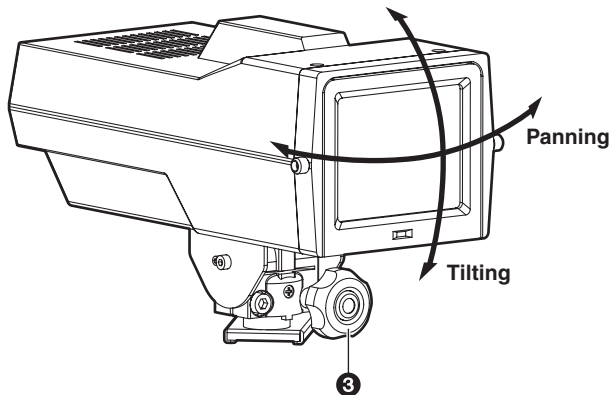
---



- ① Loosen the hood fixing screws **7**, one at the left and one at the right, and pull the hood free.
- ② Return the hood fixing screws **7** to their original positions, and tighten them up.
- ③ To re-attach the hood, first loosen the hood fixing screws **7**, and insert the hood from the front along the slide-in slots. Insert it firmly as far as it will go, and then secure it using the hood fixing screws **7**.

# ***How to adjust the viewfinder angle***

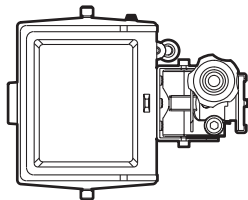
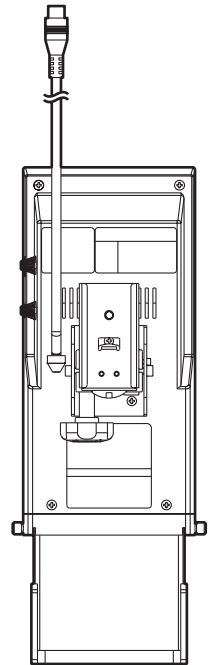
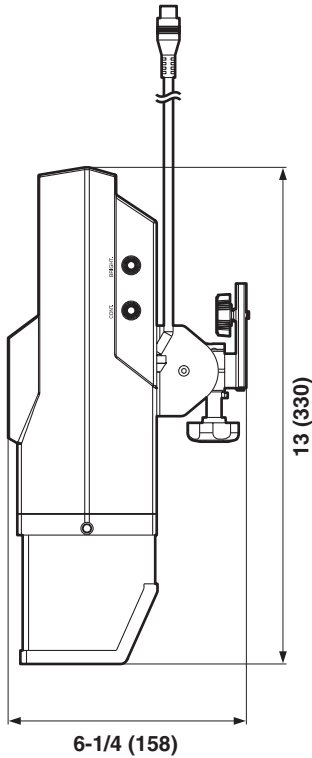
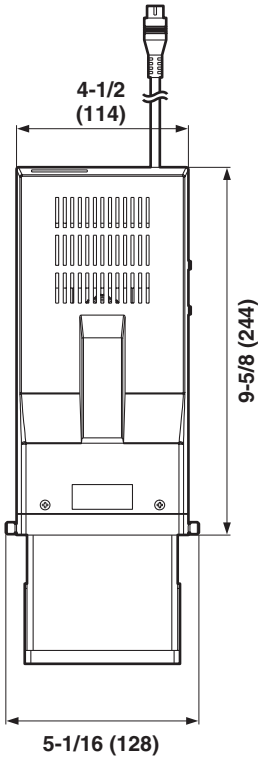
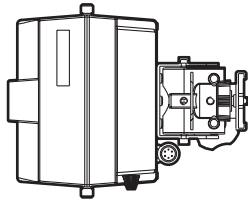
---



- ① To adjust the viewfinder angle, loosen the pan/tilt lock knob **3**, set the viewfinder to an angle at which the screen can easily be seen, and then tighten the knob to secure the viewfinder in place.

# Appearance

Unit: inch (mm)



# Specifications

---

**Power requirements:** DC 12 V (supplied from camera head)

**Power consumption:** Approx. 9 W

 indicates safety information.

<b>CRT:</b>	4-inch black-and-white CRT
<b>Video input:</b>	1.0 V [P-P] composite/high impedance
<b>Resolution:</b>	More than 500 lines
<b>Internal indicator:</b>	Tally indication (LED)
<b>Adjustment function:</b>	Contrast, brightness
<b>Operating temperature:</b>	+32°F to +104°F (0°C to +40°C)
<b>Ambient operating humidity:</b>	10% to 80% (without condensation)
<b>Dimensions (W×H×D):</b>	5-1/16"×6-1/4"×13" (128×158×330 mm) (excluding protrusions)
<b>Weight:</b>	Approx. 3.5 lbs. (1.6 kg)
<b>Finish:</b>	Main unit; Black resin molded part Hood; Painted black

Weight and dimensions indicated above are approximate.  
Specifications are subject to change without notice.



**PANASONIC BROADCAST & TELEVISION SYSTEMS COMPANY**  
UNIT COMPANY OF PANASONIC CORPORATION OF NORTH AMERICA

**Executive Office:**

One Panasonic Way 4E-7, Secaucus, NJ 07094 (201) 348-7000

**EASTERN ZONE:**

One Panasonic Way 4E-7, Secaucus, NJ 07094 (201) 348-7621

**Southeast Region:**

1225 Northbrook Parkway, Ste 1-160, Suwanee, GA 30024 (770) 338-6835

**Central Region:**

1707 N Randall Road E1-C-1, Elgin, IL 60123 (847) 468-5200

**WESTERN ZONE:**

3330 Cahuenga Blvd W., Los Angeles, CA 90068 (323) 436-3500

**Government Marketing Department:**

52 West Gude Drive, Rockville, MD 20850 (301) 738-3840

**Broadcast PARTS INFORMATION & ORDERING:**

9:00 a.m. – 5:00 p.m. (PST) (800) 334-4881/24 Hr. Fax (800) 334-4880

Emergency after hour parts orders (800) 334-4881

**TECHNICAL SUPPORT:**

Emergency 24 Hour Service (800) 222-0741

**Panasonic Canada Inc.**

5770 Ambler Drive, Mississauga, Ontario L4W 2T3 (905) 624-5010

**Panasonic de Mexico S.A. de C.V.**

Av angel Urraza Num. 1209 Col. de Valle 03100 Mexico, D.F. (52) 1 951 2127

**Panasonic Puerto Rico Inc.**

San Gabriel Industrial Park, 65th Infantry Ave., Km. 9.5, Carolina, Puerto Rico 00630  
(787) 750-4300